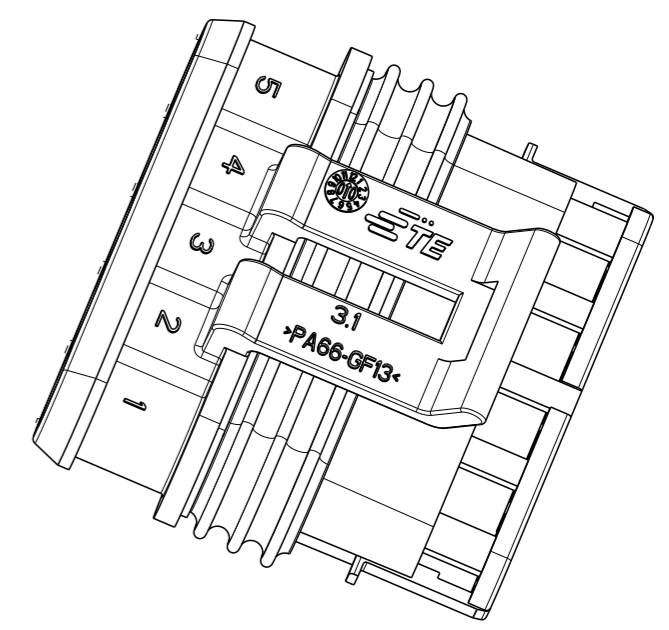
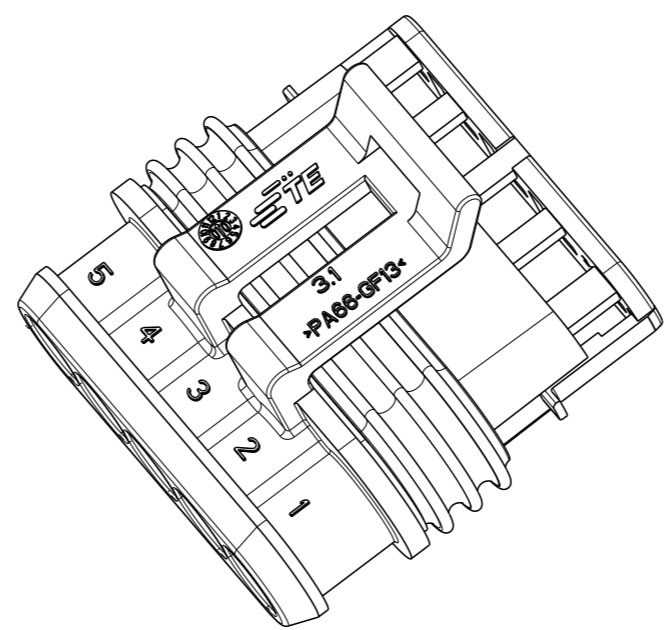
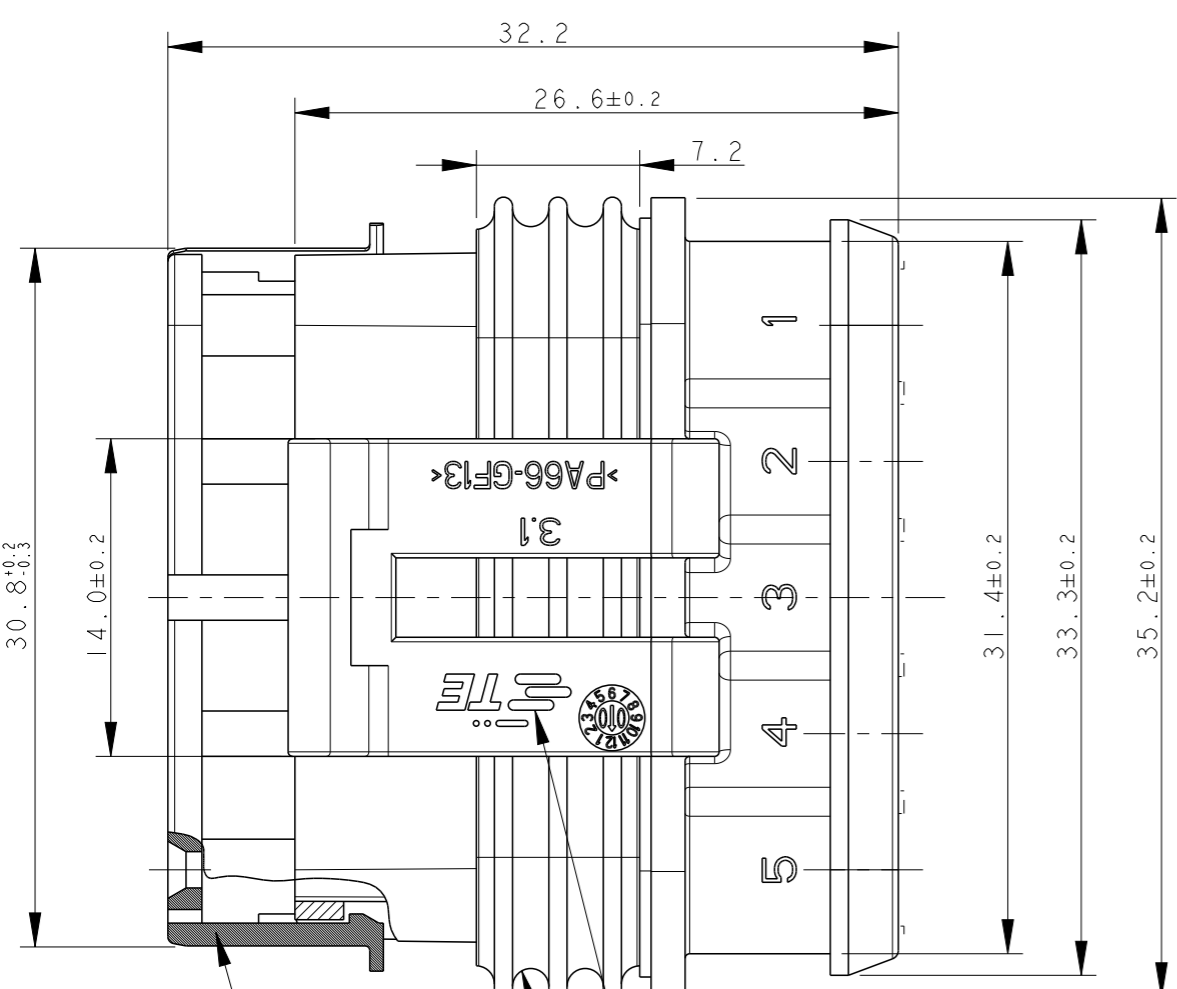
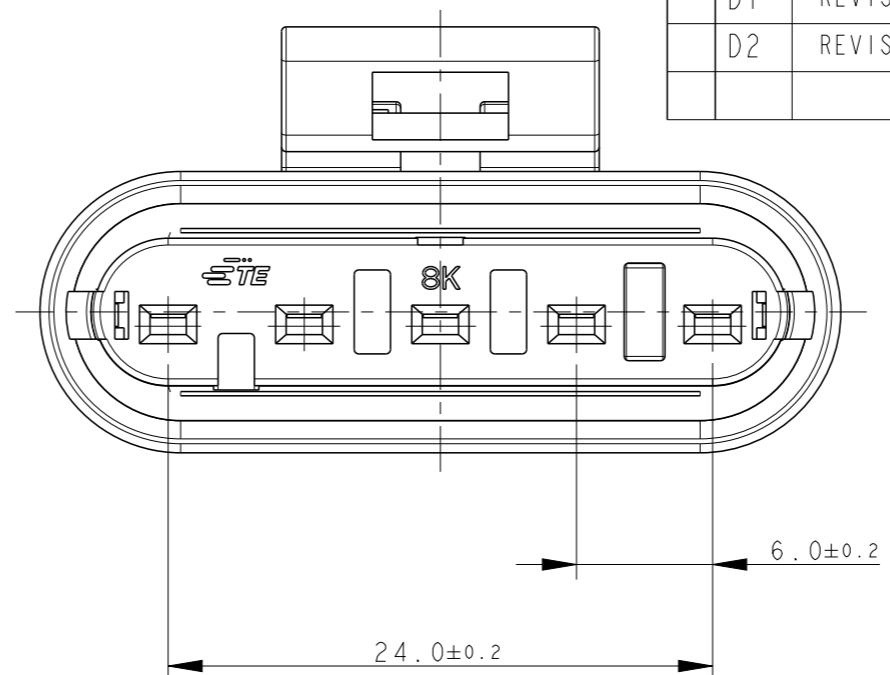
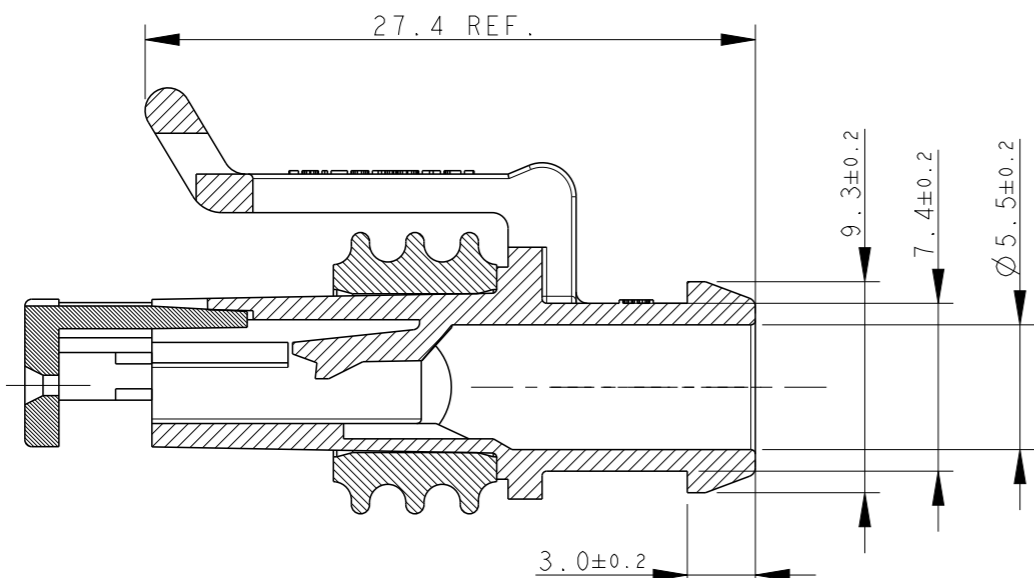


REVISIONS

P	LTR	DESCRIPTION	DATE	DWN	APVD
	D	ECR-14-009314	24MAR2015	M.P.	M.G.
	D1	REVISED (ECR-15-014031)	25SEP2015	M.G.	M.G.
	D2	REVISED PER ECO-17-001706	10FEB2017	C.A.	M.G.



1) FOR COUNTERPART DETAILS, SEE SHEET 2 OF 2

FINISH/COLOR	MATERIAL	PART NUMBER
GRAY	HOUSING+SEC.LOCK: PA66-GF SEALING: LSR	282089-2
BLACK	HOUSING+SEC.LOCK: PA66-GF SEALING: LSR	282089-1

TE CONNECTIVITY TRADE MARK,  
 (IN ALTERNATIVE: "AMP" LOGO,  
 OR "Tyco Electronics" LOGO)

SEALING  
 (COLOUR YELLOW)

PRE-ASSEMBLED SECONDARY LOCK  
 (COLOUR RED)

THIS DRAWING IS A CONTROLLED DOCUMENT.

DWN C. BERTINI 05-1992  
 CHK A. BRUNI 05-1992  
 APVD -

DIMENSIONS: mm  
 TOLERANCES UNLESS OTHERWISE SPECIFIED:  
 0 PLC ±  
 1 PLC ±0.3  
 2 PLC ±  
 3 PLC ±  
 4 PLC ±  
 ANGLES ±2°  
 MATERIAL -  
 FINISH -

PRODUCT SPEC 108-20090  
 APPLICATION SPEC 412-20000  
 WEIGHT 5.45gr

Customer Drawing

NAME -  
 AMP SUPERSEAL 1.5 SRS.  
 5 POSITIONS PLUG ASS'Y

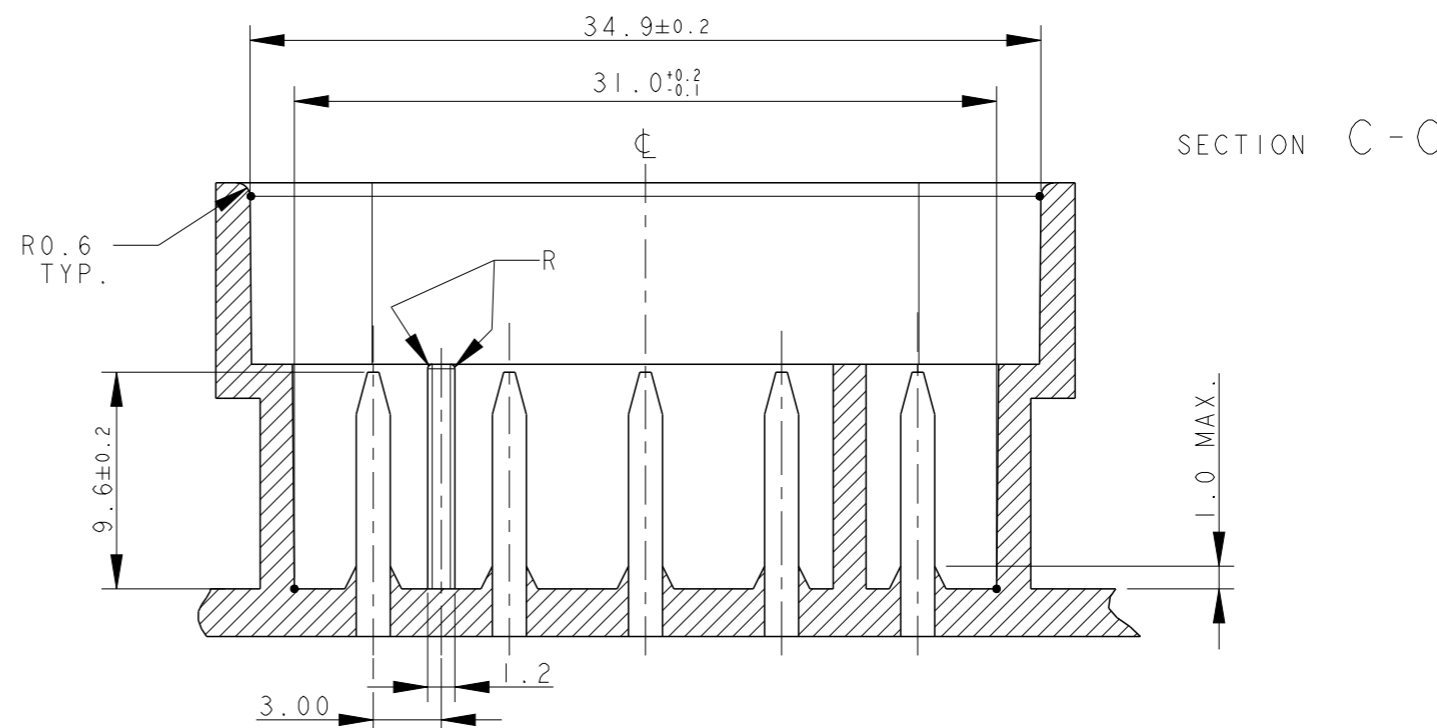
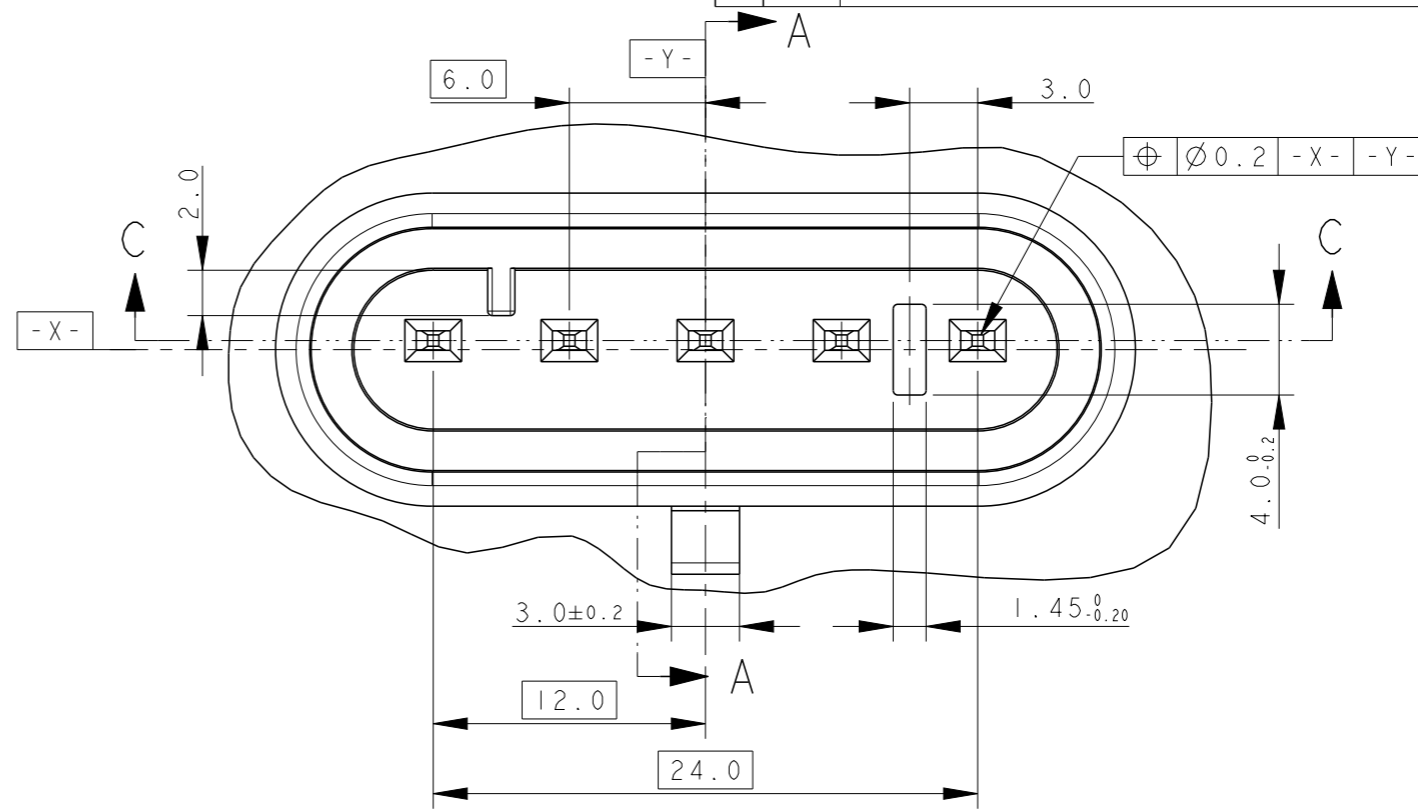
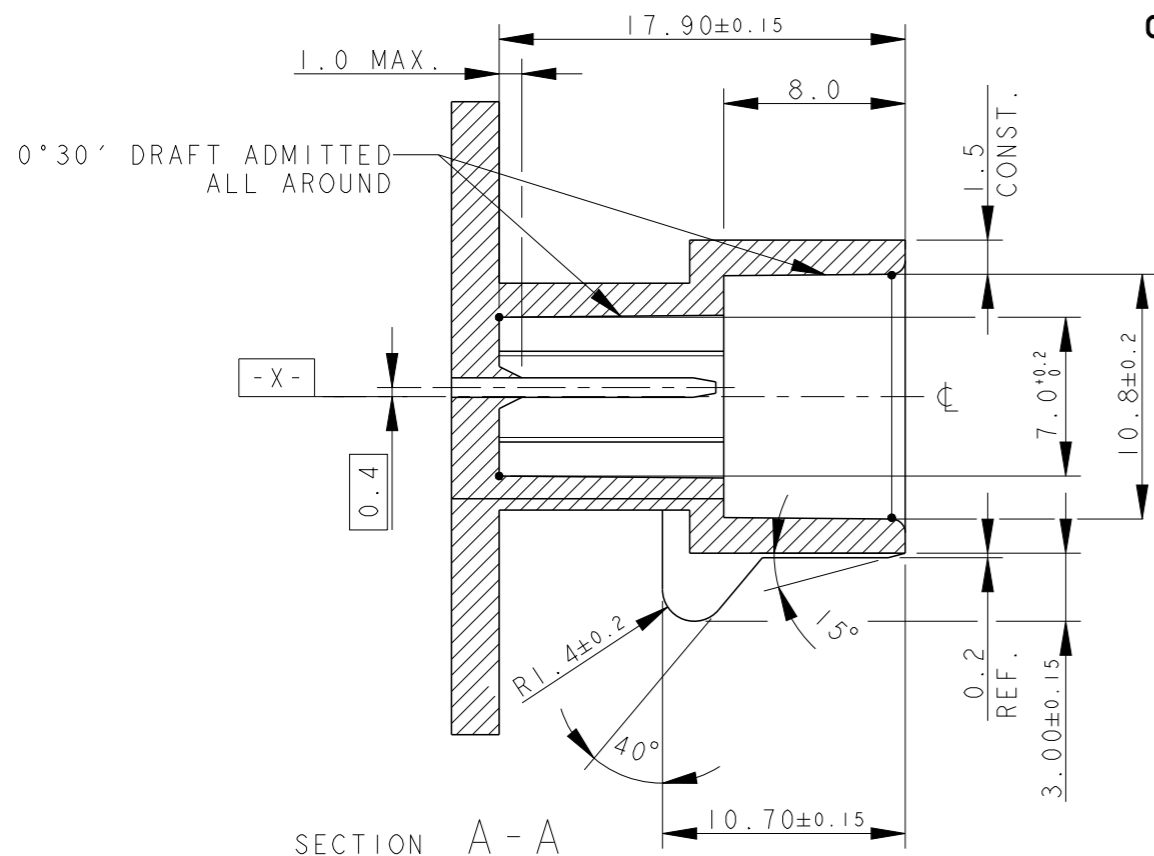
SIZE A3 CAGE CODE 00779 DRAWING NO. C-282089 RESTRICTED TO -

SCALE 3:1 SHEET 1 OF 2 REV D2

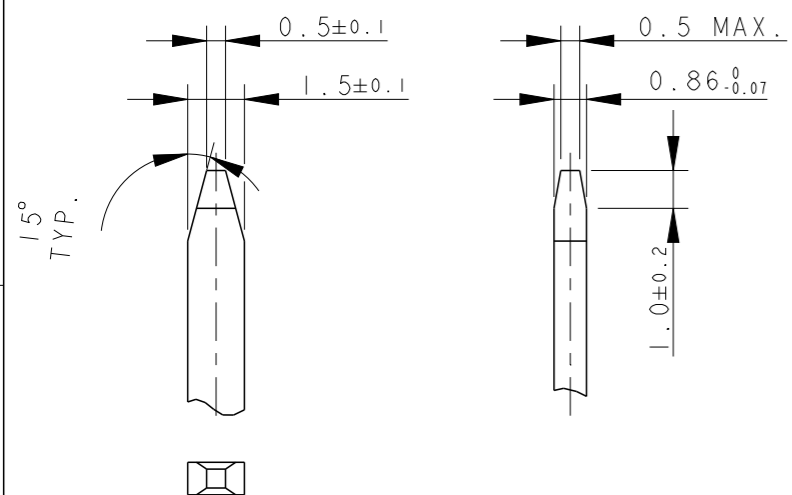
**STE** TE Connectivity

P	LTR	DESCRIPTION	DATE	DWN	APVD
		SEE SHEET 1			

### COUNTERPART DETAILS



### TAB DETAILS



MATERIALS: PA66-GF FOR HOUSING  
TIN PLATED BRASS FOR TABS

THIS DRAWING IS A CONTROLLED DOCUMENT.

DWN C. BERTINI 05-1992

CHK A. BRUNI 05-1992

APVD -

NAME -

DIMENSIONS: mm

TOLERANCES UNLESS OTHERWISE SPECIFIED:

0 PLC	±0.3
1 PLC	±0.1
2 PLC	±0.05
3 PLC	±
4 PLC	±
ANGLES	±2°

MATERIAL FINISH

PRODUCT SPEC 108-20090

APPLICATION SPEC 412-20000

WEIGHT 5.45gr

AMP SUPERSEAL 1.5 SRS.  
5 POSITIONS PLUG ASS'Y

SIZE A3 CAGE CODE 00779 DRAWING NO. C-282089 RESTRICTED TO -

Customer Drawing

SCALE 1:1 SHEET 2 OF 2 REV D2