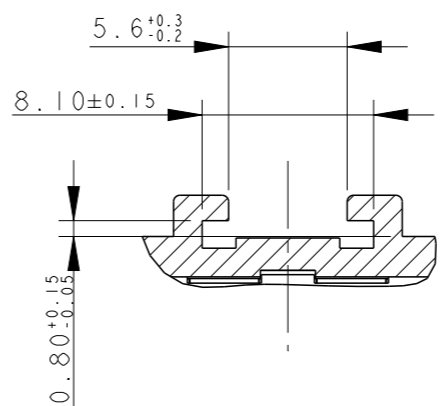
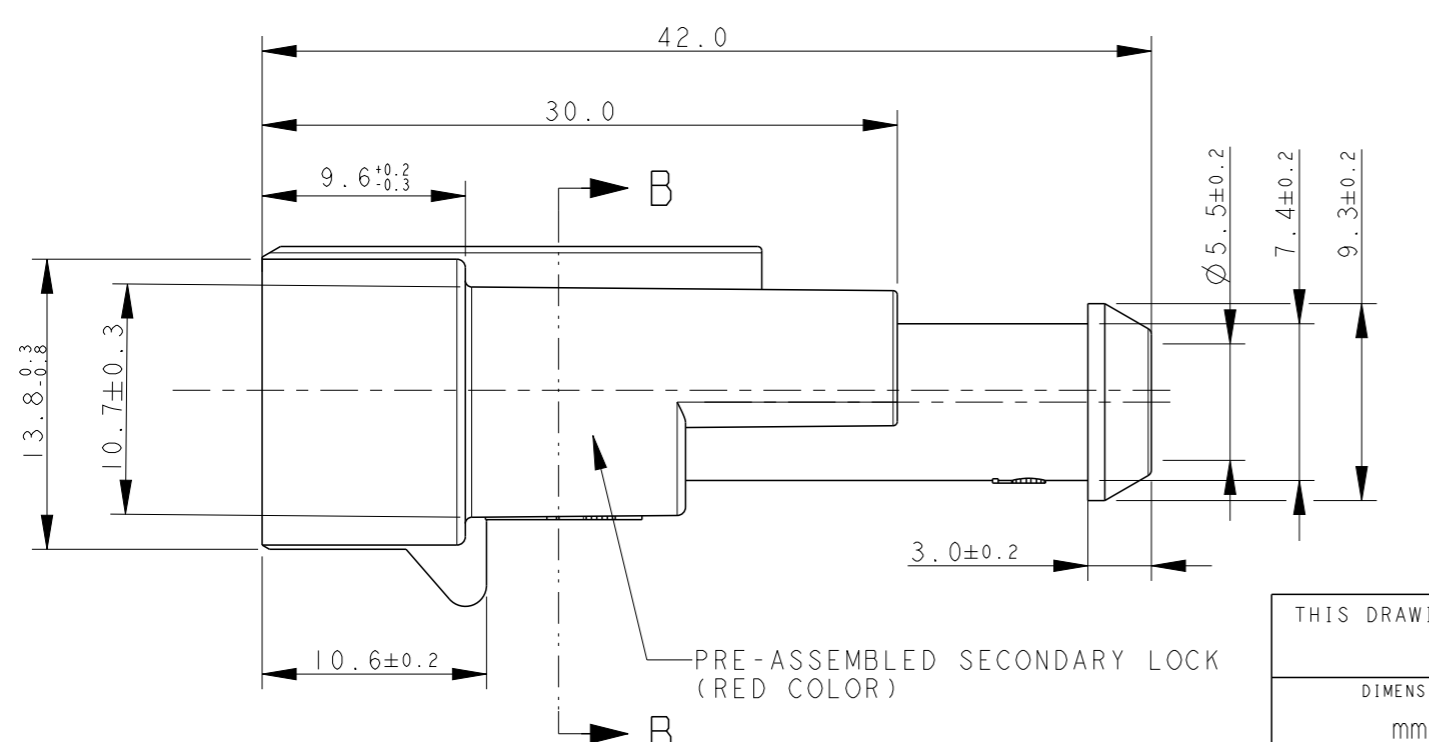
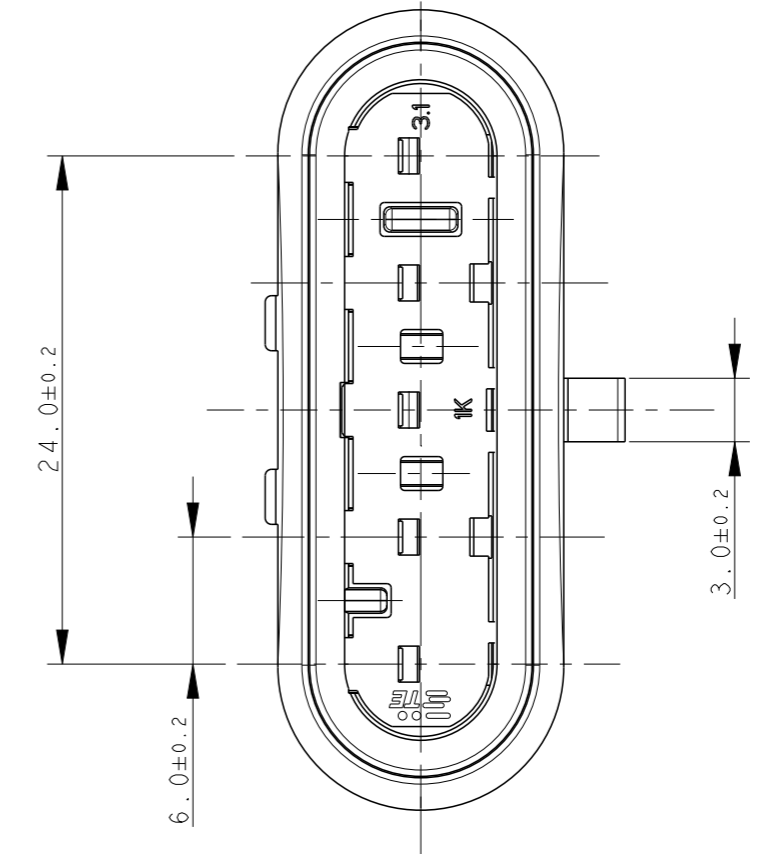
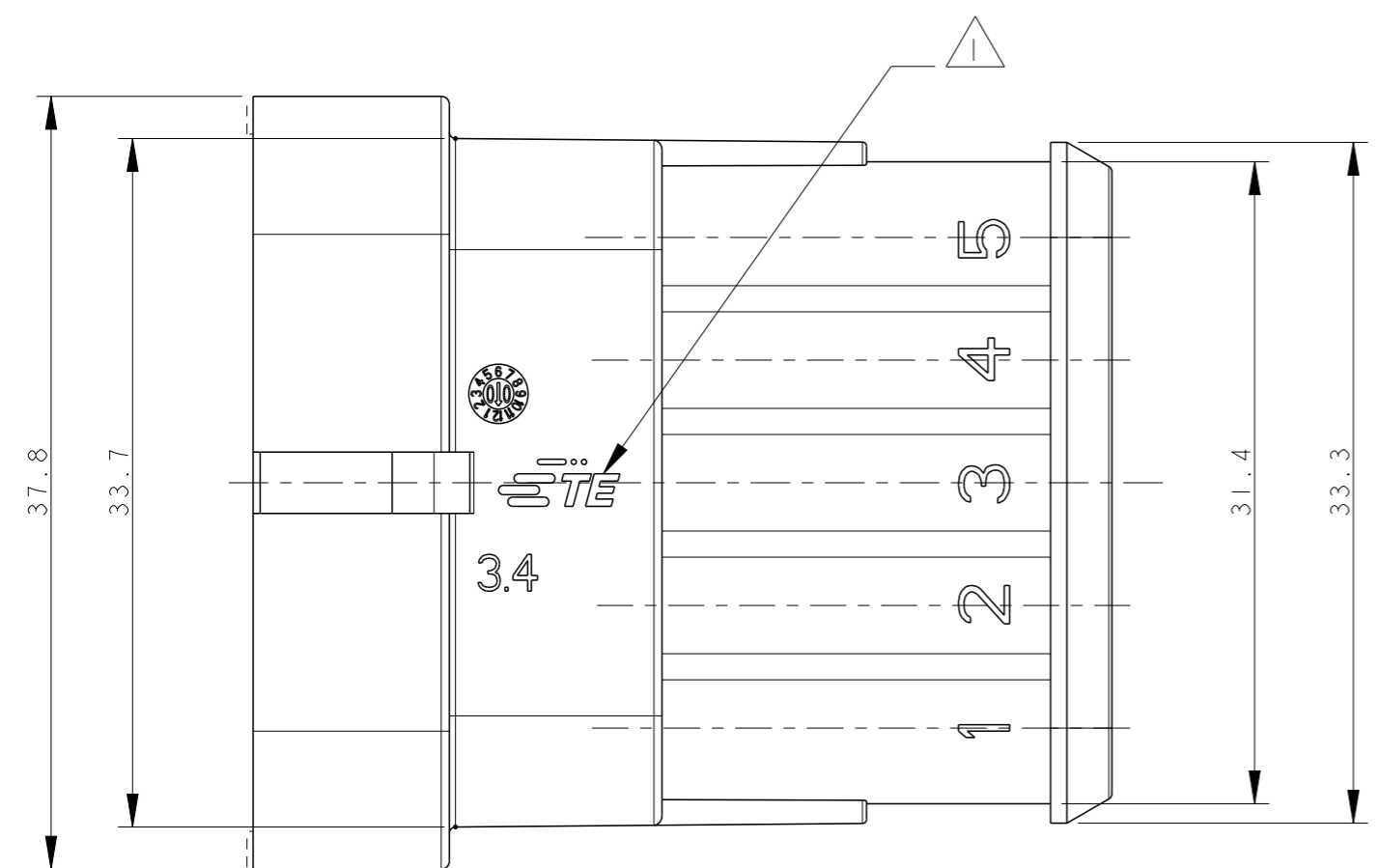


THIS DRAWING IS UNPUBLISHED. RELEASED FOR PUBLICATION 2009  
 © COPYRIGHT 2009 BY - ALL RIGHTS RESERVED.

REVISIONS					
P	LTR	DESCRIPTION	DATE	DWN	APVD
B1		REVISED PER ECO-17-009774	06SEP2017	M.G.	M.G.
B2		REVISED PER ECO-20-002019	12FEB2020	AP	VN



PART SECTION B - B

FINISH/COLOR	MATERIAL	REV	PART NUMBER
BROWN	PA66-GF	B	4-282107-1
GRAY	PA66-GF	B	282107-2
BLACK	PA66-GF	B	282107-1

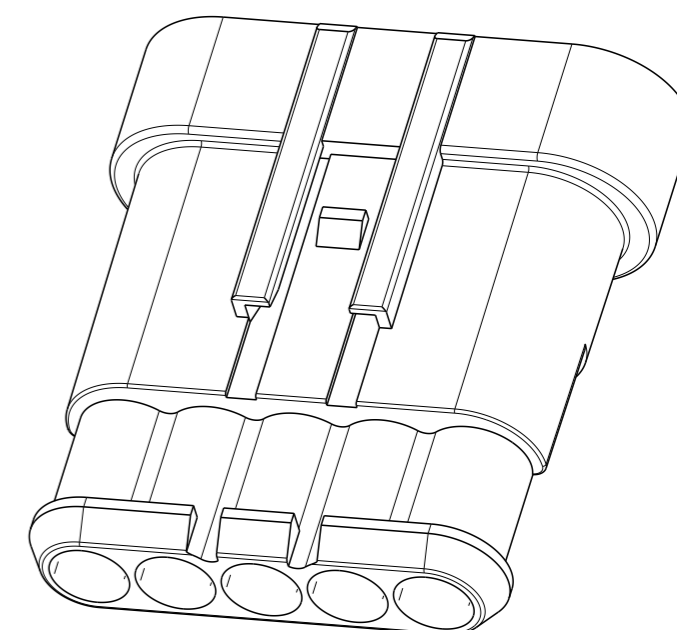
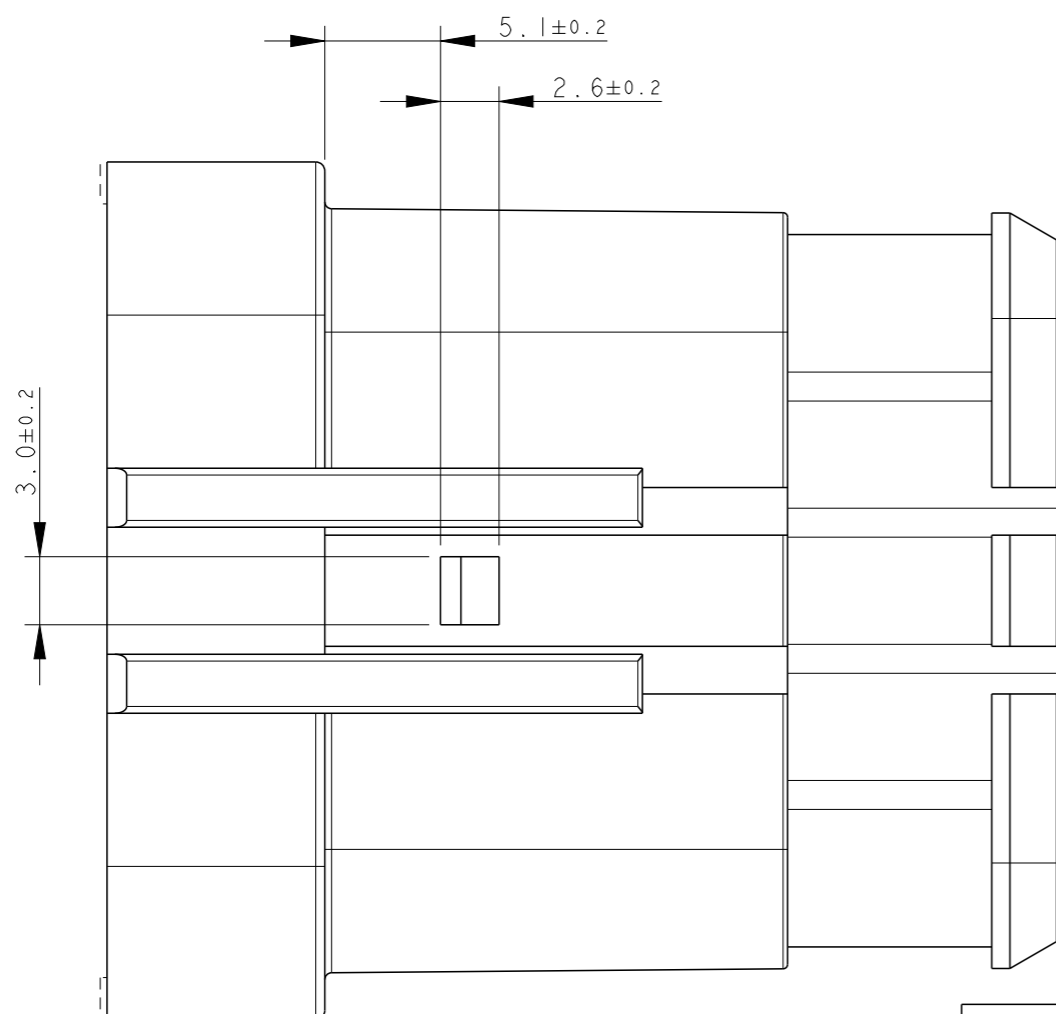
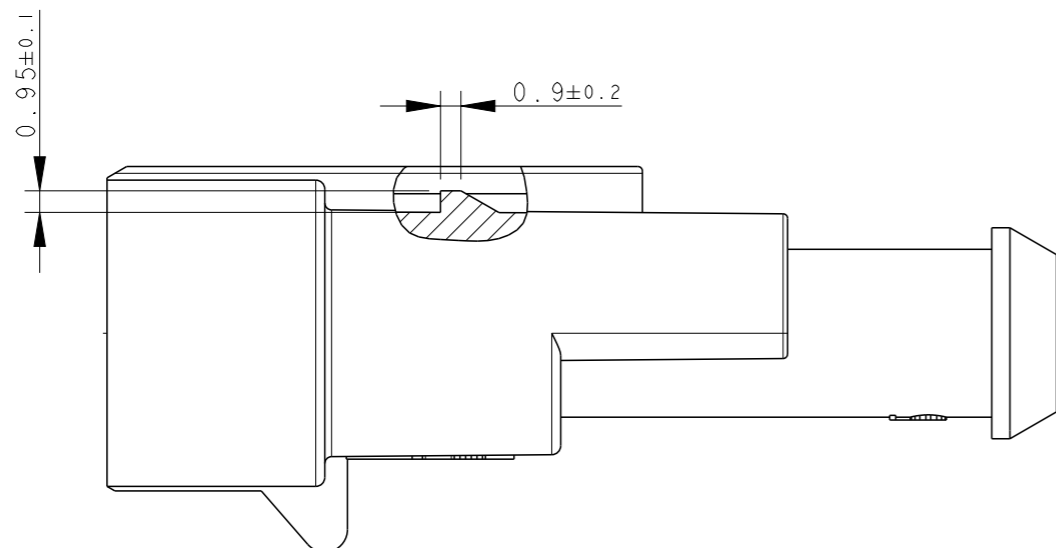
1 TE CONNECTIVITY TRADE MARK, (IN ALTERNATIVE: "AMP" LOGO, OR "Tyco Electronics" LOGO)  
 2 PRELIMINARY

THIS DRAWING IS A CONTROLLED DOCUMENT.		DWN C. BERTINI 02-1990	TE Connectivity	
DIMENSIONS: mm		CHK A. BRUNI 02-1990		
TOLERANCES UNLESS OTHERWISE SPECIFIED:		APVD -	NAME AMP SUPERSEAL 1.5 SRS. 5 POSITIONS TAB ASS'Y	
0 PLC ± 1 PLC ± 0.3 2 PLC ± 3 PLC ± 4 PLC ±		PRODUCT SPEC 108-20090	SIZE A300779	
ANGLES ± 2°		APPLICATION SPEC 412-20000	CAGE CODE G-282107	
MATERIAL SEE TABLE		WEIGHT 7.72g	RESTRICTED TO	
FINISH SEE TABLE		CUSTOMER DRAWING	SCALE 5:1 SHEET 1 OF 2 REV B2	

REVISIONS

P	LTR	DESCRIPTION	DATE	DWN	APVD
-	-	SEE SHEET 1	-	-	-

REFER SHEET 1 FOR MISSING DIMENSIONS



**PRELIMINARY**

4-282107-1 AS SHOWN

THIS DRAWING IS A CONTROLLED DOCUMENT.

DWN C. BERTINI 02-1990

CHK A. BRUNI 02-1990

APVD -

PRODUCT SPEC

108-20090

APPLICATION SPEC

412-20000

WEIGHT 7.72g

NAME

AMP SUPERSEAL 1.5 SRS.  
5 POSITIONS TAB ASS'Y

SIZE CAGE CODE DRAWING NO RESTRICTED TO

A300779 C-282107

DIMENSIONS:  
mm



TOLERANCES UNLESS OTHERWISE SPECIFIED:

- 0 PLC ±-
- 1 PLC ± 0.3
- 2 PLC ±-
- 3 PLC ±-
- 4 PLC ±-
- ANGLES ± 2°

MATERIAL  
SEE TABLE

FINISH  
SEE TABLE

CUSTOMER DRAWING SCALE 3:1 SHEET 2 OF 2 REV B2