

Technische Daten

Polzahl	8
Temperaturbereich	-20 °C bis 130 °C
Schutzart	gesteckt IP 66/67

Elektrische Daten

Bemessungsstrom	max. 5 A*
Bemessungsspannung	32 V (AC/DC)
Bemessungsstoßspannung (L-L)	1500 V

Steckzyklen	500
-------------	-----

Werte gem. VDE 0110/EN61984, Abschnitt 6.19.2.2

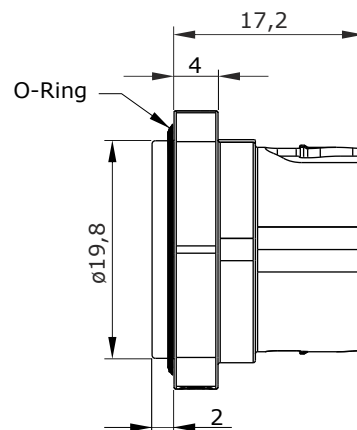
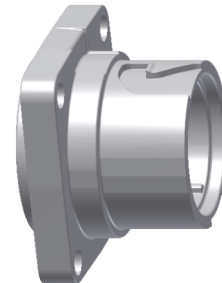
Verschmutzungsgrad	3
Überspannungskategorie	III
max. Aufstellhöhe	2000 m

Werkstoffe

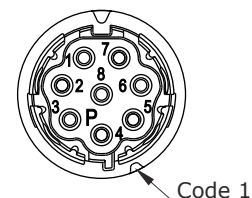
Gehäuse	Zinkdruckguss, vernickelt
Isolierkörper	PA, UL 94/ V0
Dichtungen	FKM

Kontakte (nicht im Lieferumfang enthalten)

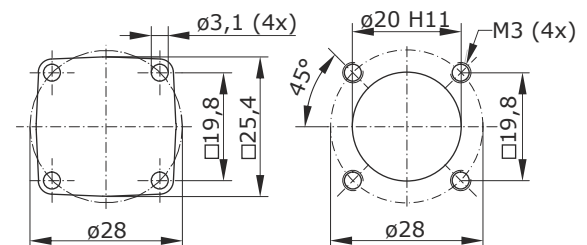
Werkzeuge (nicht im Lieferumfang enthalten)



Hauptabmessungen
Einbaudose



Polbild
Ansicht steckseitig



Hauptabmessungen
Flansch

Montagefenster





intercontec
products

618 **econect** Receptacle

8-pin
Flange 25x25
Housing Code 1 (TTL)

TE part number: A E A 150 N 00 00 101E 000
IC reference number: C 33 A 150 NN 00 00 0101 000

Technical Data

number of pins 8
temperature range -20 °C to 130 °C
protection type IP 66/67 when connected

Electrical Data

rated current max. 5 A*
rated voltage 32 V (AC/DC)
rated insulation voltage (L-L) 1500 V

mating cycles 500

Data according to VDE 0110/EN61984, Paragraph 6.19.2.2

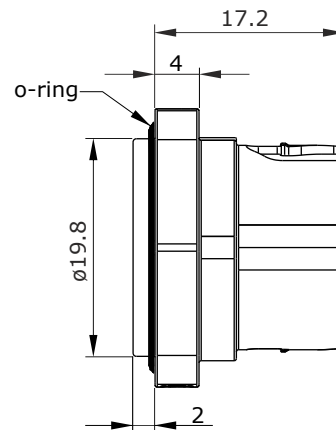
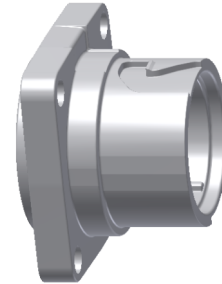
pollution degree 3
overvoltage category III
max. height for operation 2000 m

Material

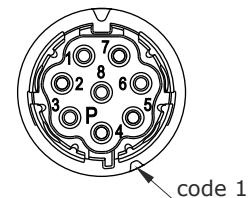
housing zinc diecast, nickel plated
insulation insert PA, UL 94/ V0
seals FKM

Contacts (not part of product contents)

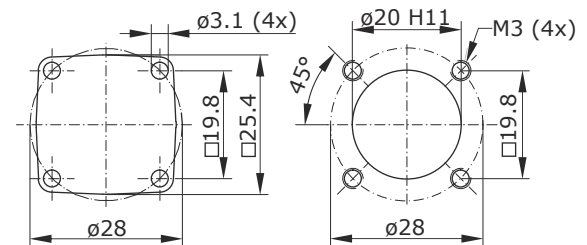
Tools (not part of product contents)



Main Dimensions
receptacle



Contact Arrangement
mating view



Main Dimensions
flange

Mounting Hole

Y6-D617-000-0EN issued: 23.11.2012/Ed; modified: 04.11.2020/VK

© 2020 TE Connectivity

TE Connectivity, TE connectivity (logo), intercontec (logo) and speedtec are trademarks.

While TE Connectivity (TE) has made every reasonable effort to ensure the accuracy of the information in this presentation, TE does not guarantee that it is error-free, nor does TE make any other representation, warranty or guarantee that the information is accurate, correct, reliable or current. TE reserves the right to make any adjustments to the information contained herein at any time without notice. TE expressly disclaims all implied warranties regarding the information contained herein, including, but not limited to, any implied warranties of merchantability or fitness for a particular purpose. The dimensions in this article are for reference purposes only and are subject to change without notice. Specifications are subject to change without notice. Consult TE for the latest dimensions and design specifications.

TE Connectivity Industrial GmbH
Bernrieder Straße 15
94559 Niederwinkling, Germany
+49 9962 2002 - 0
intercontec@te.com
www.intercontec.biz



* for max. wire cross-section
pay attention to the
cross-section of used contacts