

TE Teile Nr.: A E A 150 NN 00 00 102E 000  
IC Ref. Nr.: C 33 A 150 NN 00 00 0102 000

### Technische Daten

Polzahl	8
Temperaturbereich	-20 °C bis 130 °C
Schutzart	gesteckt IP 66/67

### Elektrische Daten

Bemessungsstrom	max. 5 A*
Bemessungsspannung	32 V (AC/DC)
Bemessungsstoßspannung (L-L)	1500 V

Steckzyklen	500
-------------	-----

### Werte gem. VDE 0110/EN61984, Abschnitt 6.19.2.2

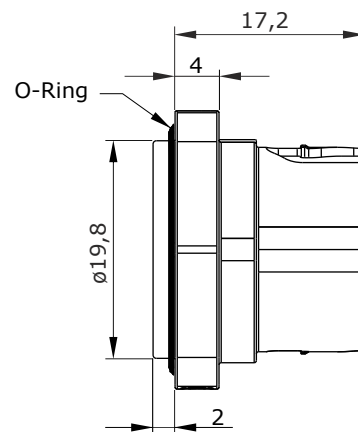
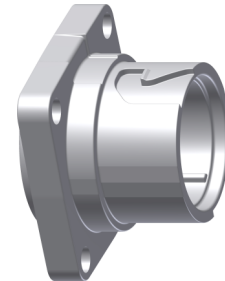
Verschmutzungsgrad	3
Überspannungskategorie	III
max. Aufstellhöhe	2000 m

### Werkstoffe

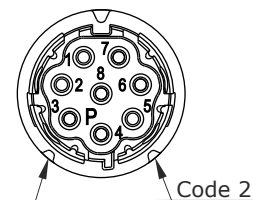
Gehäuse	Zinkdruckguss, vernickelt
Isolierkörper	PA, UL 94/ V0
Dichtungen	FKM

**Kontakte** (nicht im Lieferumfang enthalten)

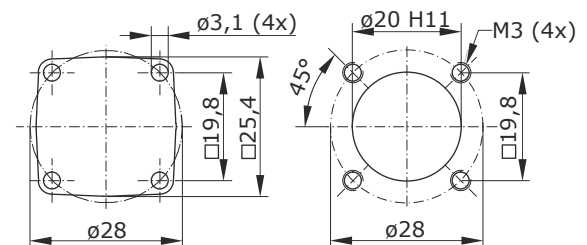
**Werkzeuge** (nicht im Lieferumfang enthalten)



**Hauptabmessungen**  
Einbaudose



**Polbild**  
Ansicht steckseitig



**Hauptabmessungen**  
Flansch

**Montagefenster**





**intercontec**  
products

# 618 *econect* Receptacle

8-pin  
Flange 25x25  
Housing Code 2

TE part number: A E A 150 NN 00 00 102E 000  
IC reference number: C 33 A 150 NN 00 00 0102 000

### Technical Data

number of pins 8  
temperature range -20 °C to 130 °C  
protection type IP 66/67 when connected

### Electrical Data

rated current max. 5 A\*  
rated voltage 32 V (AC/DC)  
rated insulation voltage (L-L) 1500 V

mating cycles 500

### Data according to VDE 0110/EN61984, Paragraph 6.19.2.2

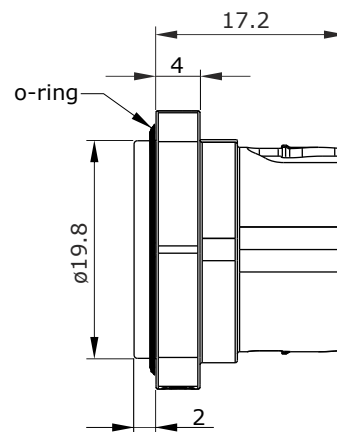
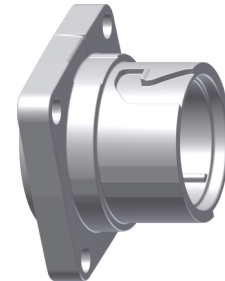
pollution degree 3  
overvoltage category III  
max. height for operation 2000 m

### Material

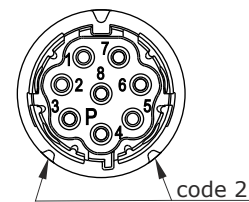
housing zinc diecast, nickel plated  
insulation insert PA, UL 94/ V0  
seals FKM

**Contacts** (not part of product contents)

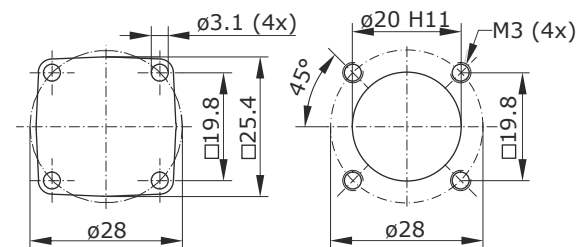
**Tools** (not part of product contents)



**Main Dimensions**  
receptacle



**Contact Arrangement**  
mating view



**Main Dimensions**  
flange

**Mounting Hole**

Y6-E960-000-0EN issued: 28.07.2014/Ed; modified: 04.11.2020/VK

© 2020 TE Connectivity

TE Connectivity, TE connectivity (logo), intercontec (logo) and speedtec are trademarks.

While TE Connectivity (TE) has made every reasonable effort to ensure the accuracy of the information in this presentation, TE does not guarantee that it is error-free, nor does TE make any other representation, warranty or guarantee that the information is accurate, correct, reliable or current. TE reserves the right to make any adjustments to the information contained herein at any time without notice. TE expressly disclaims all implied warranties regarding the information contained herein, including, but not limited to, any implied warranties of merchantability or fitness for a particular purpose. The dimensions in this article are for reference purposes only and are subject to change without notice. Specifications are subject to change without notice. Consult TE for the latest dimensions and design specifications.

TE Connectivity Industrial GmbH  
Bernrieder Straße 15  
94559 Niederwinkling, Germany  
+49 9962 2002 - 0  
[intercontec@te.com](mailto:intercontec@te.com)  
[www.intercontec.biz](http://www.intercontec.biz)



\* for max. wire cross-section  
pay attention to the  
cross-section of used contacts